

### HANDLING AND STORAGE

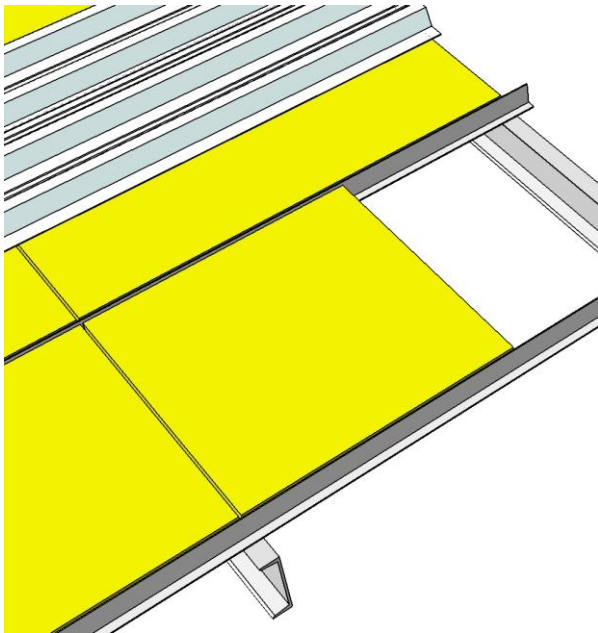
Store undercover, and in dry conditions. Store flat. Handle with care, especially on the edges and corners, which can be damaged if subject to sharp impact. Do not apply excessive pressure, for example by standing or sitting on the product, as permanent damage may be caused.

**NB:** Factoryboard should not be installed in applications where the facing material is exposed to direct or indirect Ultraviolet radiation.

### FACTORYBOARD INSTALLATION METHODOLOGY

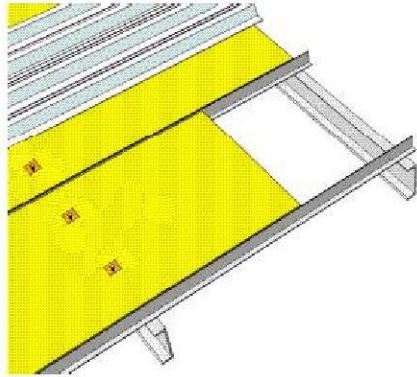
Tools

Sharp Knife



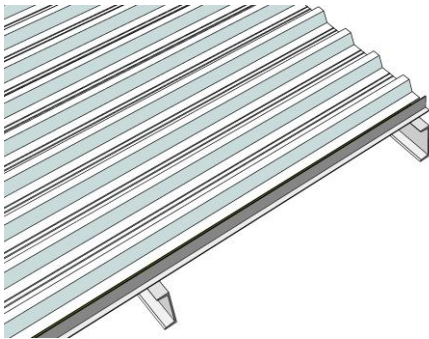
1

- Factoryboard should be fixed simultaneously with roof sheets
- Fix aluminium/galvanised T-sections to the purlins at 600/1200mm centres using self-drilling and self-tapping screws.
- **Minimum recommended face of T-section to be 35mm.**
- T-sections should be designed to carry the load of Factoryboard and span the length between the purlins without sagging.
- End joints of Factoryboard boards to occur on top of purlins and hence board lengths are determined by purlin spacing.



**2**

- Lay Factoryboard onto the T-sections.
- Suitable U-Spacer or timber block spacer to be installed on top of purlin at roof screw fixing point. Spacer depth determined by insulation thickness. Spacer type and size to be determined by roof sheet manufacturer to suit their applicable roofing system.



**3**

- Fix roof sheeting to the purlins through the spacer as described above.

**DISCLAIMER:** Notwithstanding anything contained in this document, it is recommended that the contractor, installer and/or end-user consult the manufacturer of the roof sheet being used PRIOR to any installation and/or fixing being undertaken. Nothing contained in this document shall constitute or shall be deemed to constitute advice, a warranty or a guarantee of any nature whatsoever from Isover, a division of Saint-Gobain Construction Products ("Isover") nor does Isover warranty or guarantee that the relevant product and/or fixing method is fit for purpose. The onus to obtain professional advice in this regard lies solely with the contractor, installer and/or end-user.