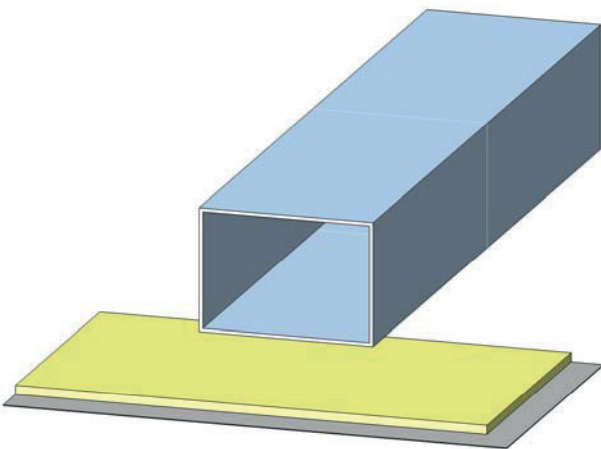


## HANDLING AND STORAGE

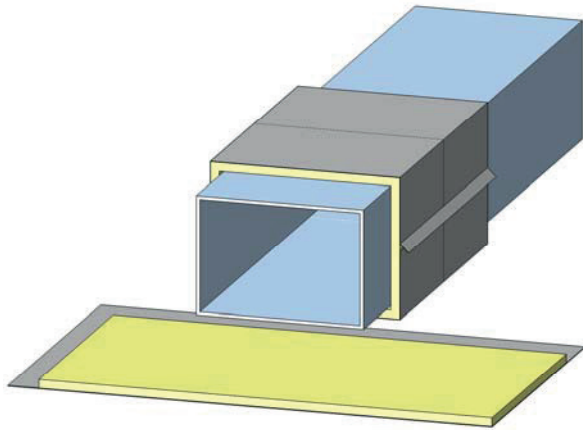
Store undercover, and in dry conditions. Store flat. Handle with care, especially on the edges and corners, which can be damaged if subject to sharp impact. Do not apply excessive pressure, for example by standing or sitting on the product, as permanent damage may be caused.

## DUCTWRAP INSTALLATION METHODOLOGY



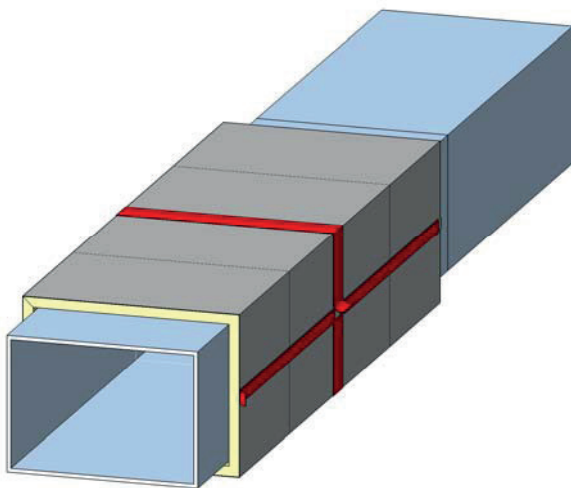
1

- Ducts shall be clean, dry and tight sealed at all joints and seams.
- The Ductwrap shall be cut to stretch out dimensionally over the duct and allow for 100mm overlap.
- 100mm piece of glasswool should be cut and removed from the facing of the Ductwrap to form an overlapping and staple flap.
- 50mm piece of Ductwrap should be cut and remove from the facing to form an overlapping and staple flap at the butt joints.



2

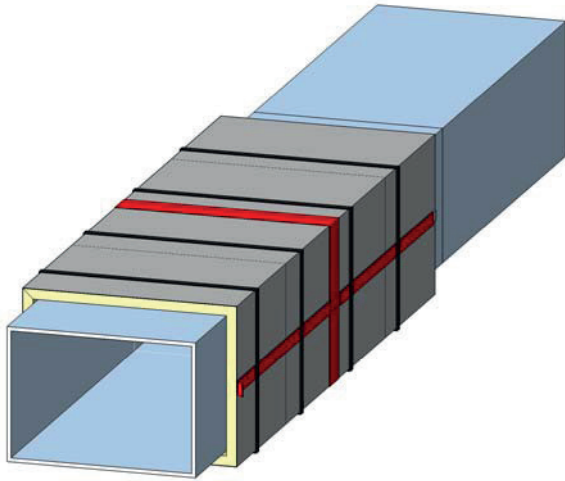
- Install Ductwrap tightly butted with facing outside. Overlap 100mm formed tape flap and facing at the other end of piece of Ductwrap.
- If ducts are rectangular or square, install so that installations are not excessively compressed at the duct corners.



3

- Seams shall be stapled on centres with outward clinching staples at 150mm centres.
- Adjacent sections of Ductwrap shall be tightly butted with the 50mm tape overlapping and stapled.
- Seal the seams with pressure sensitive tape matching the insulation facing. ( the tape is highlighted in the drawing for clarity)

( The tape is high-lighted for clarity)



( The tape is highlighted for clarity)

4

- Where rectangular ducts are 600mm in width and greater, Ductwrap shall be additional secured with strapping at 300mm centres.